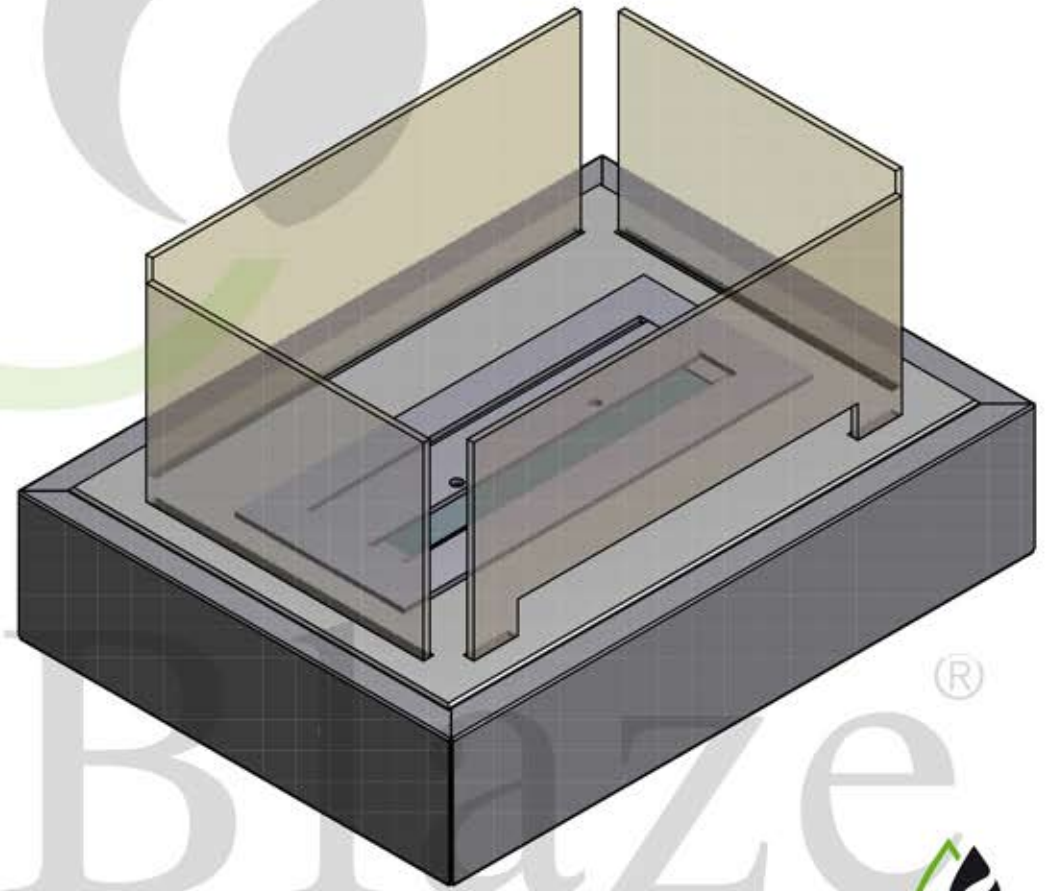


Measures are in mm



Product Dimensions L 465 x H 101.5 x D 345 mm
 L 18" x H 4" x D 13½"
Weight 2.5 kg/ 5 lbs
 Insert box suitable only for insert table product
Last updated: 06/20/2013

Insert Box - Technical drawing

