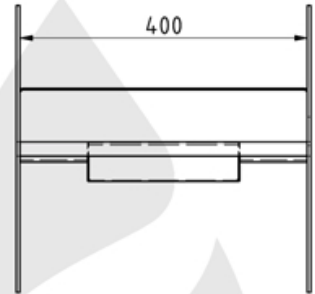
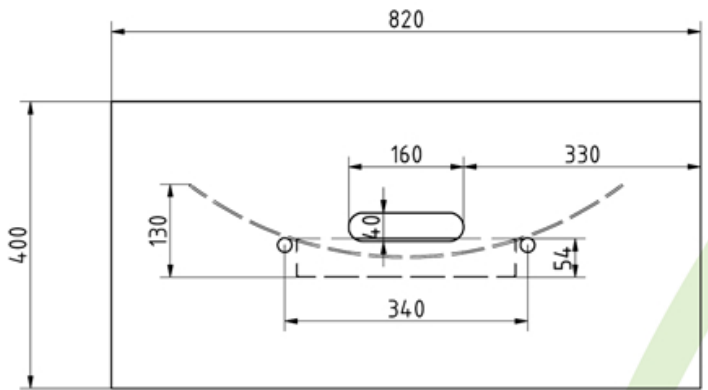
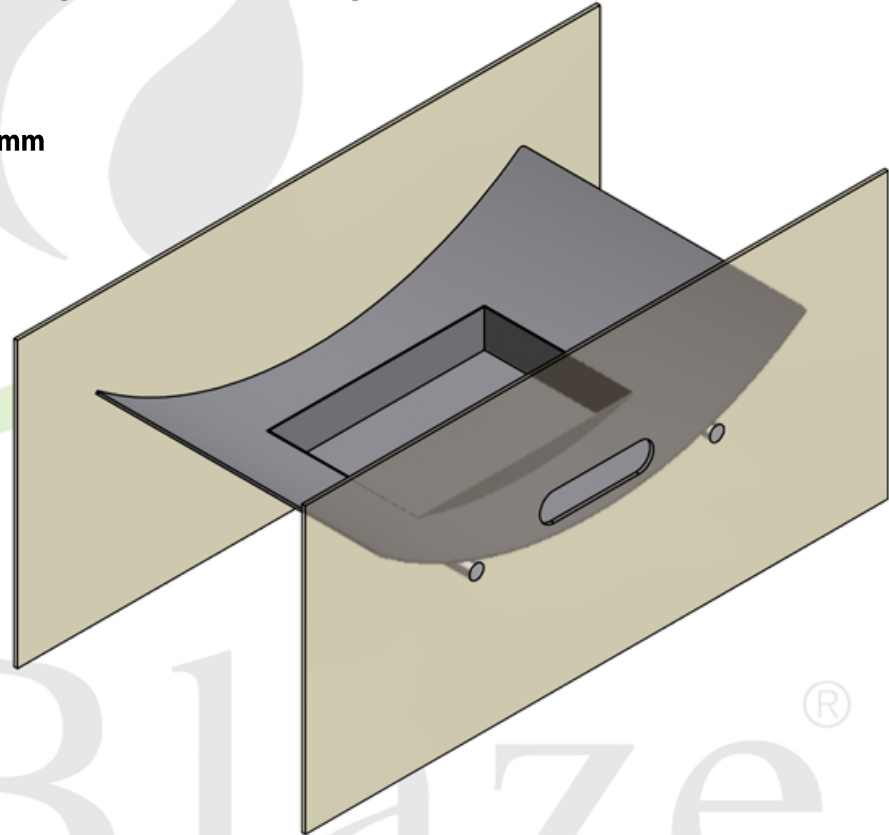
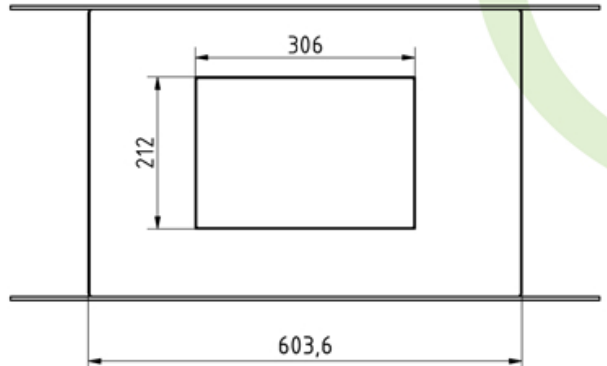


**Veniz with glass - Technical drawing**



Measures are in mm



<b>Product Dimensions</b>	L 820 x H 400 x D 416 mm L 33" x H 15½" x D 16"
<b>Weight</b>	20 kg / 44 lbs
<b>Burner</b>	2L / 2 qts burner - adjustable flame
<b>Burning time</b>	+/- 6 hrs - 0.33 l/h - ½ qt/h
<b>Heating Capacity</b>	2.8 KW / 9553 BTU
<b>Minimum Room surface</b>	54 M <sup>3</sup> (roof 2.45 m) / 1906 ft <sup>3</sup> (roof 8ft)
<b>Advised air exchange</b>	every one hour for rooms < 110 m <sup>3</sup> < 3884 ft <sup>3</sup>

**last updated**      march 2016

