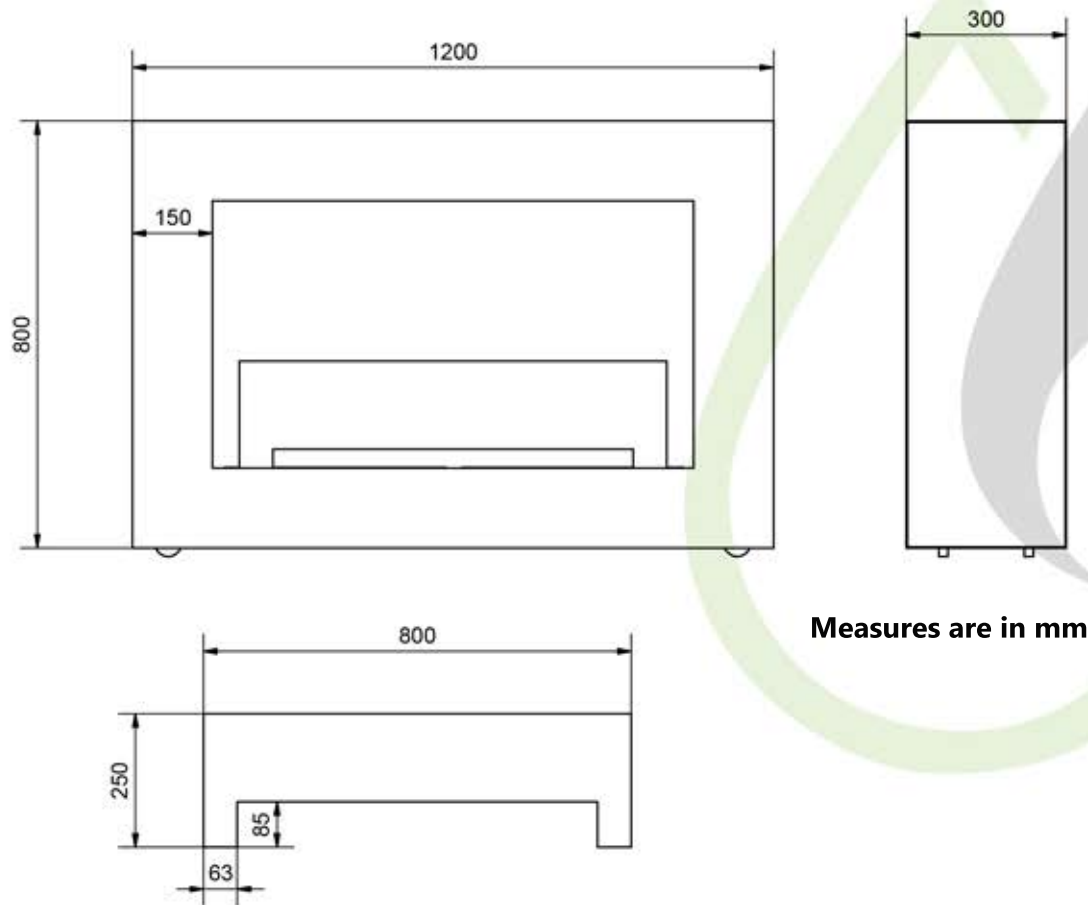
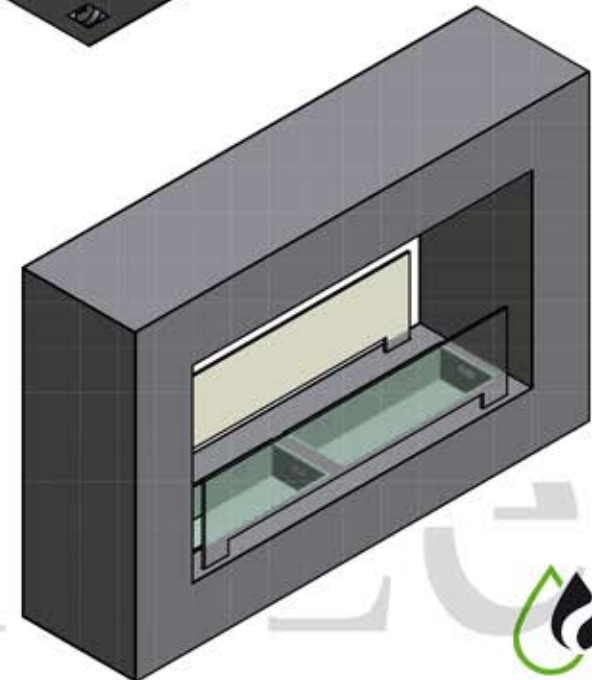
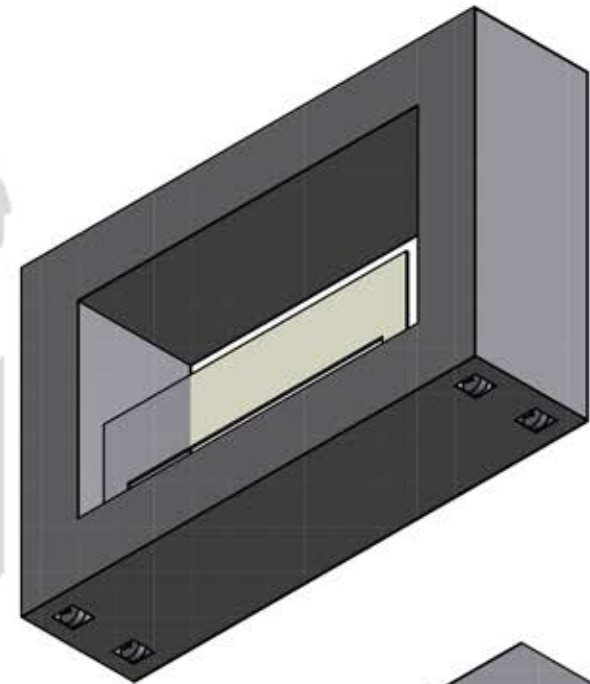


Qube Large - Technical drawing



Measures are in mm



Product Dimensions

L 1200 x H 800 x D 300 mm

L 47" x H 31½" x D 11½"

Weight

70 kg / 154 lbs

Burner

2 x 1½ L / 1½ qts burner - adjustable flame

Burning time

+/- 6 hrs - 0.25 l/h/b - ¼ qt/h/b

Heating Capacity

5.6 KW / 19106 BTU

Minimum Room surface

85 m³(roof 2.45 m) / 3002 ft³ (roof 8 ft)

Advised air exchange

every one hour for rooms < 110 m³- < 3884 ft³

Last updated

April 2015